

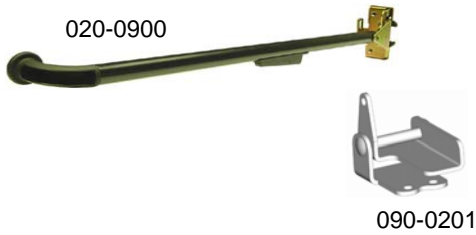
Table of Contents

Linkages

Page

Inside Release

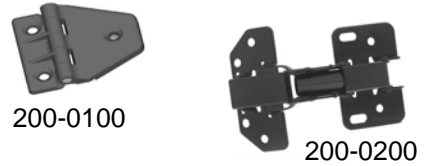
020-0900 Remote Inside Release	90
090-0201 Push Button Linkage	91



Hinges

Page

200-0100 Hinge Assembly—Plastic.....	92
200-0200 Cabinet Hinge	92



Electrical/Electronic

Page

e-ASK System	93
e-ASK Accessories	93

Radio Frequency (RF)

500-1000 e-ASK System	94
500-1100 e-FOB System	95
510-0100 e-ASK I/O Module.....	96
510-0250 e-ASK CAN IO and RF Module	97
530-0100 e-FOB Transmitter.....	98

Keypad

540-0100 e-PAD Keypad.....	99
540-0125 e-PAD With Relays.....	100
540-0200 Lighted Grab Handle With Keypad (e-GRAB).....	101

Actuators

550-0100 Power Lock Actuators.....	102
------------------------------------	-----

Switches

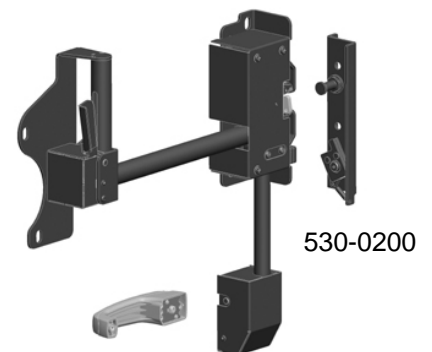
610-0100 Ignition Switch	103
--------------------------------	-----



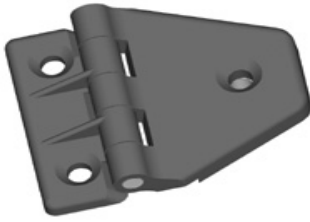
Door Systems

Page

100-5010 TriGuard Heavy Duty Door Hardware Kit Module V1	104
--	-----



200-0100 Hinge Assembly - Plastic



This glass reinforced nylon leaf style hinge is designed for on or off-highway flush compartment, access doors or hinged windows. It can be surface mounted with grommets and spacers included to facilitate mounting on 5 or 6mm thick glass.

AVAILABLE:

- Surface mounted design with grommets and spacers included to facilitate mounting on 5 or 6mm thick glass

MATERIAL:

- Glass reinforced nylon—black

INSTALLATION:

- Three (3) 8mm flat or oval head mounting screws (not included)

200-0200 Cabinet Hinge

Cabinet hinge is a concealed hinge that surface mounts for ease of installation and totally hidden applications. The concealed hinge action has a rotational axis outside of the physical door (up and out) and provides for flush doors when closed.

Features/Benefits:

- Spring-biased over-center detent holds the door in the open position and assists in closing action

Material:

- Robust, stamped steel construction

Finish:

- Black e-coat

Available:

- Alternative mounting patterns
- 3 versions:
 - ◇ Light duty 4 ± 1 lbf ($1.8 \pm .45$ kgf)
 - ◇ Heavy duty 33 lbf (15 kgf)
 - ◇ Heavy duty with dampener 33 lbf (15 kgf)
- Application assistance available — please inquire

Installation:

- Easy installation with (8) #8 or M4 fasteners (not included). Slotted mounting holes allow for tolerance and adjustability.

